

English's Model Railroad Supply

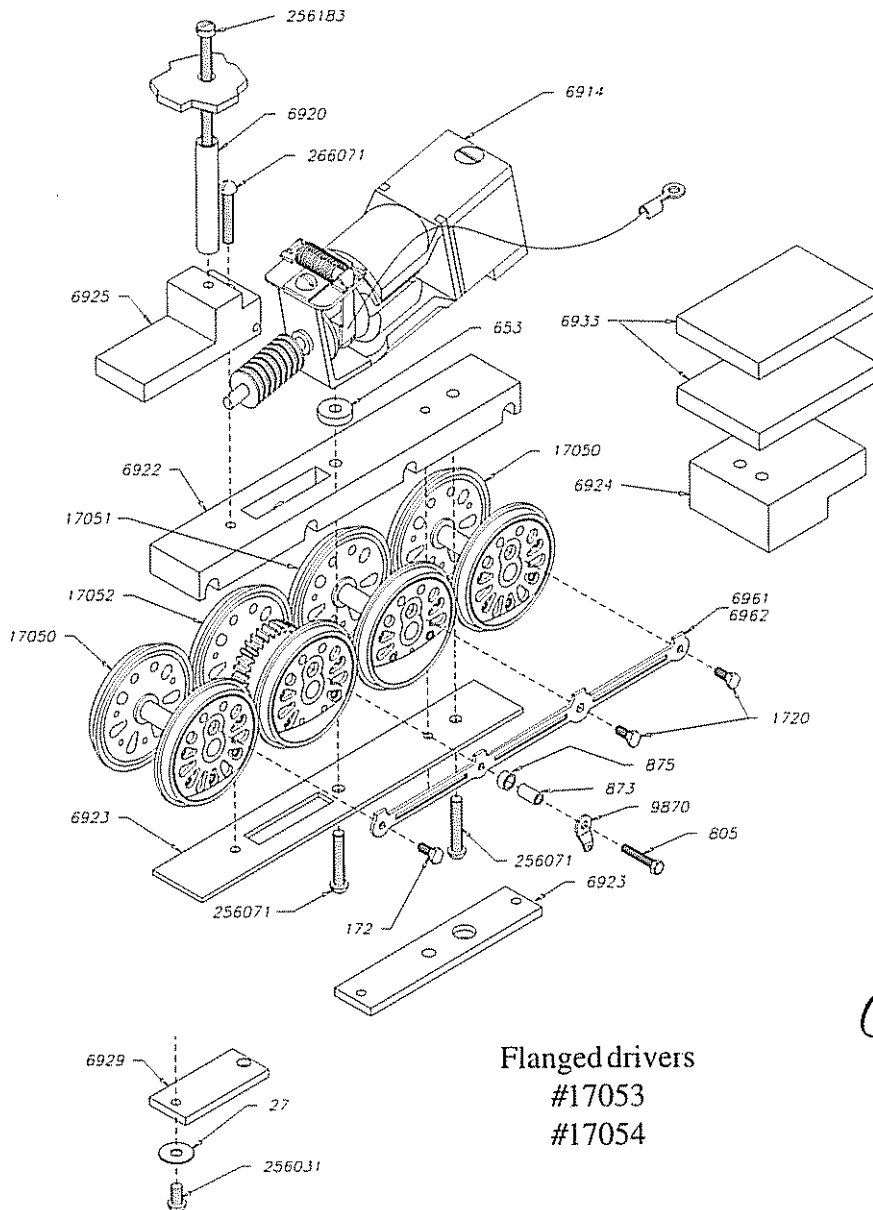
(A DIVISION OF BOWSER MFG. CO., INC.)

HO MECHANISM KITS FOR BACHMANN

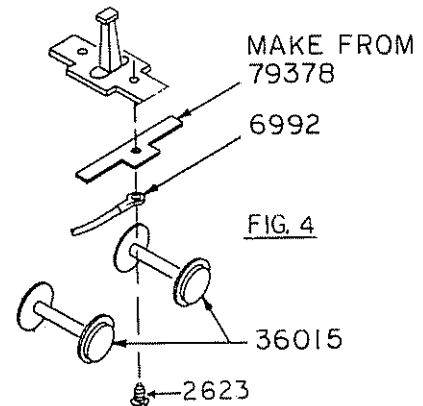
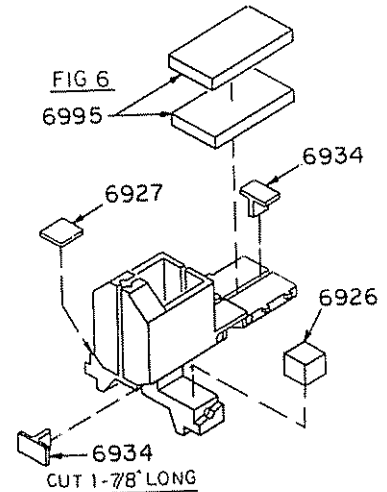
#3-205 BACHMANN NIAGARA 4-8-4

This mechanism includes a zinc die-cast underframe and cover plate, 80" box pok drivers, stamped brass side rods, DC-71 motor, complete mounting hardware, engine and tender weights, tender truck wheels and electrical pick-up. Uses the Bachmann lead trucks, trailing trucks and valve gear.

256183 screw goes through hole
under check vane in top of boiler



Flanged drivers
#17053
#17054



DISCLAIMER:
Since Bachman may make changes and improvements
from time to time, it may affect how our mechanisms fit.